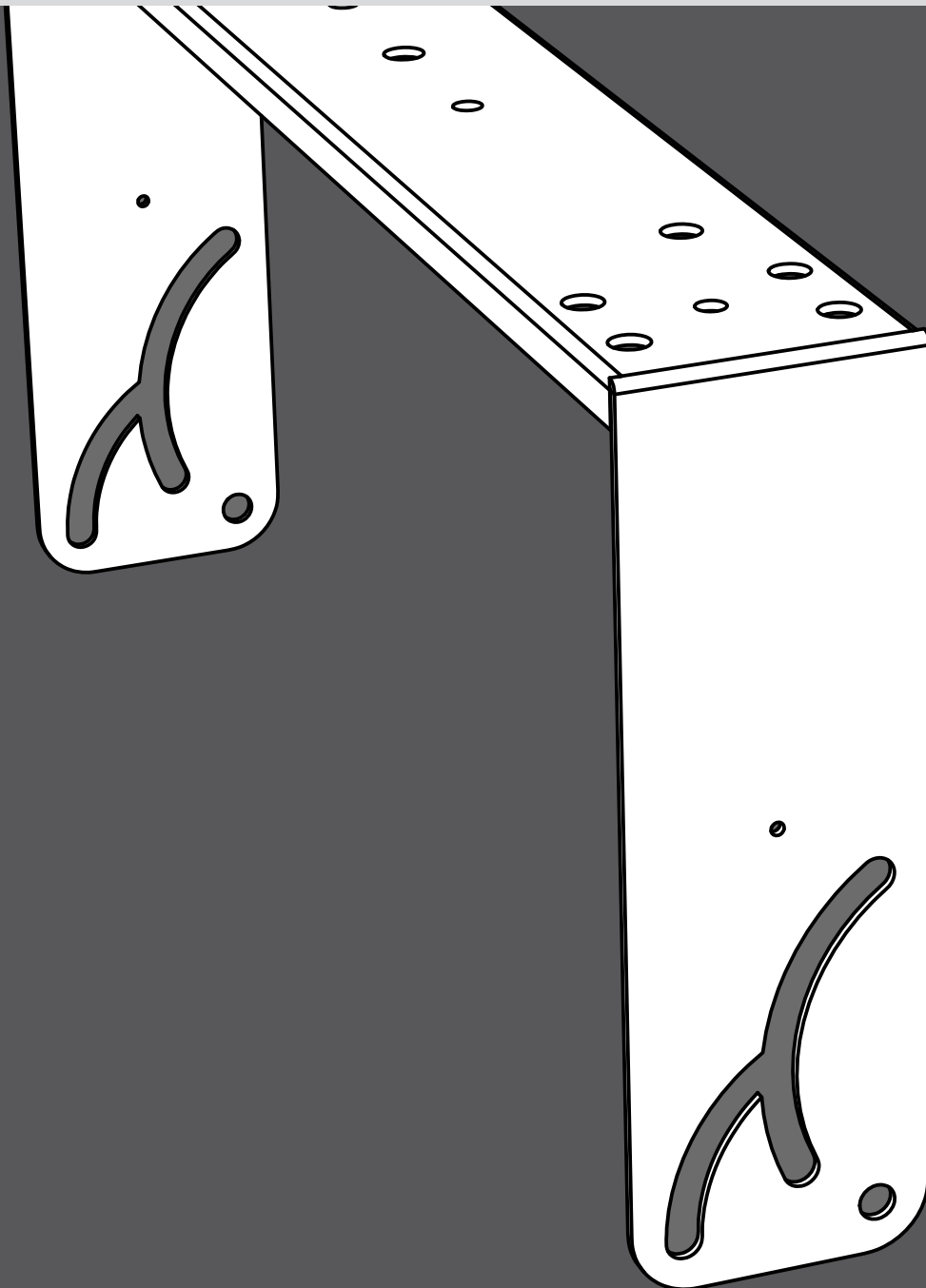


# Z

## Z5388 Mounting instructions 1.2 en



## **General information**

Z5388 Mounting instructions

Version: 1.2 en, 04/2020, D2823.EN .01

Copyright © 2020 by d&b audiotechnik GmbH & Co. KG; all rights reserved.

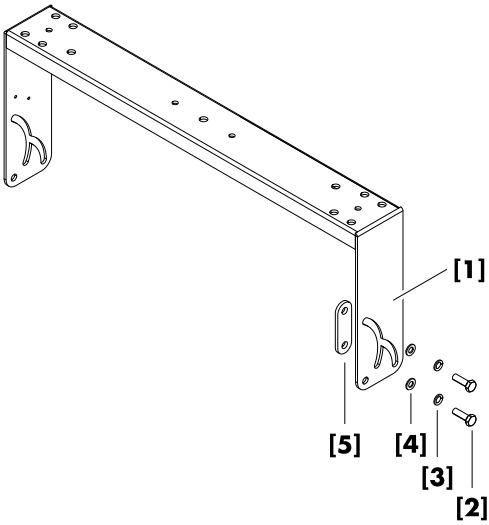
**Keep this document with the product or in a safe place so that it is available for future reference.**

When reselling this product, hand over this document to the new owner.

d&b audiotechnik GmbH & Co. KG  
Eugen-Adolff-Str. 134, D-71522 Backnang, Germany  
T +49-7191-9669-0, F +49-7191-95 00 00  
docadmin@dbaudio.com, www.dbaudio.com

<b>1</b>	<b>Z5388 VP Horizontal bracket</b> .....	<b>4</b>
1.1	Scope of supply and weight.....	4
1.2	Safety precautions.....	4
1.3	Intended use.....	5
1.4	Mounting options and angle settings.....	5
1.5	Assembly.....	6
<b>2</b>	<b>Fixing template</b> .....	<b>8</b>
<b>3</b>	<b>Built-in dimensions</b> .....	<b>9</b>
<b>4</b>	<b>Manufacturer's declaration</b> .....	<b>11</b>
4.1	EU conformity (CE symbol).....	11
4.2	Disposal.....	11

# 1 Z5388 VP Horizontal bracket



Scope of supply

## 1.1 Scope of supply and weight

Please verify the shipment for completeness and proper condition of the items.

Qty.	d&b Code	Description
1	<b>Z5388</b>	VP Horizontal bracket <b>[1]</b>
Including:		
4		Hex head bolt M10 x 25 <b>[2]</b>
4		Spring washer M10 <b>[3]</b>
4		U washer 10.5 <b>[4]</b>
2		Rubber pad <b>[5]</b>
1	D2823.EN .01	Z5388 Mounting instructions

Weight ..... 4.3 kg (10 lb)

## 1.2 Safety precautions

### General safety

Installation and setup should only be carried out by qualified and authorized personnel observing the valid national Rules for the Prevention of Accidents (RPA).

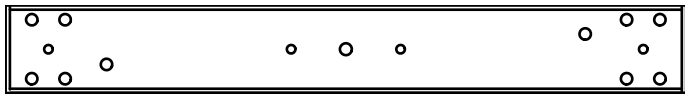
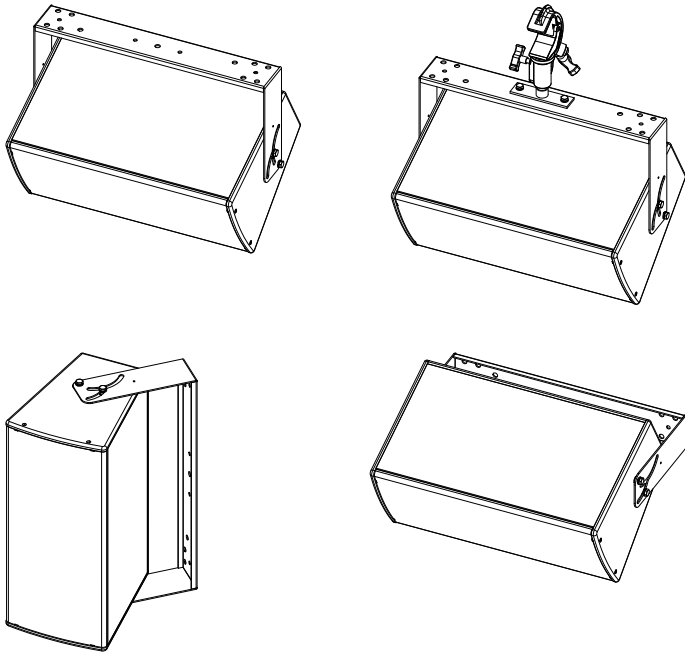
It is the responsibility of the person installing the assembly to ensure that the suspension/fixing points are suitable for the intended use.

Always carry out a visual and functional inspection of the items before use. In case there is any doubt as to the proper functioning and safety of the items, these must be withdrawn from use immediately.

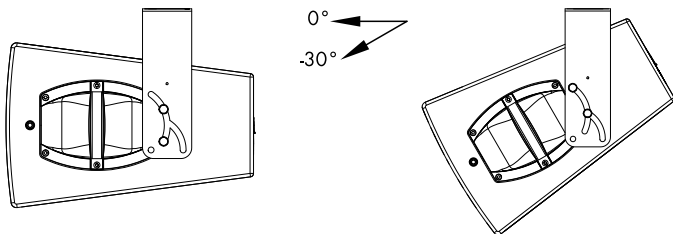
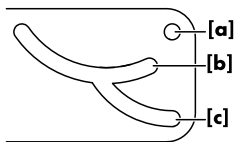
### Load safety information

The VP Horizontal bracket is designed to support either one V7P/V10P or Vi7P/Vi10P loudspeaker.

No additional loads must be added.



**Z5388 Mounting holes**



### 1.3 Intended use

The d&b Z5388 VP Horizontal bracket must only be used in conjunction with d&b V-Point or Vi-Point cabinets (V7P/V10P or Vi7P/Vi10P) as described in these mounting instructions.

#### The bracket can be:

- directly mounted to walls.
- directly mounted to ceilings or other suitable surfaces.
- horizontally flown from overhead bars or trusses with a tube diameter between 40 mm to 70 mm (1.5" to 2.75") using the Z5010 TV spigot with fixing plate in conjunction with the Z5012 Pipe clamp.
- mounted together with a second horizontal bracket using the Z5552 Bracket connector to set up a vertical array of two cabinets.

**Note:** For assembly and operation of these accessories, refer to the specific mounting instructions.

### 1.4 Mounting options and angle settings

Mounting holes are provided on the tie bar of the bracket.

One centered 9 mm (0.35") hole is provided at each end of the tie bar for fixing the bracket directly to walls or ceilings or other suitable surfaces.

Two centered 9 mm (0.35") holes at the d&b standard spacing of 115 mm (4.5") are provided to allow the attachment of the Z5010 TV spigot.

Five mounting holes are provided at each end of the tie bar to attach the Z5044 MAX Bracket connector, the Z5053 Ci60/Ci90 Bracket connector or the Z5054 Ci60/Ci90 Flying adapter.

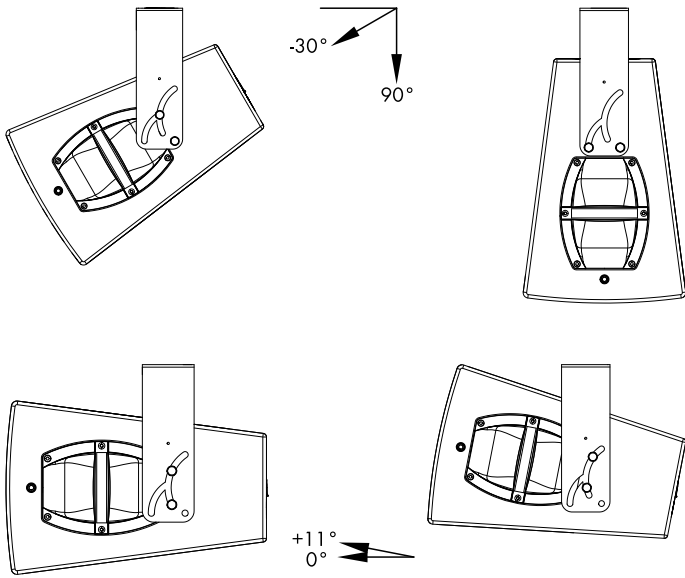
One 11 mm (0.43") hole **[a]** and two semi-circular slots **[b]**, **[c]** are located at each end of the bracket.

Using the M10 threaded inserts at the top and bottom of the loudspeaker cabinet, the bracket can be attached in two directions to allow angle settings over a range of 101°, starting from +11° through to -90°. The following mounting options and angles settings are possible.

#### Option 1

The bracket is attached to the cabinet with hole **[a]** facing to the front of the cabinet. Both bolts are fitted into slot **[b]**.

The vertical coverage angle can be set over a range of 30°, starting from 0° to -30°.



### Option 2

The bracket is attached to the cabinet with hole **[a]** facing to the back of the cabinet. One bolt is fitted into hole **[a]** and the second one is fitted into the axis of slot **[b]** and slot **[c]** to allow the bolt to move in slot **[c]**.

The vertical coverage angle can be set over a range of 60°, starting from -30° to -90°.

### Option 3

The bracket is attached to the cabinet with hole **[a]** facing to the back of the cabinet. Both bolts are fitted into slot **[b]**.

The vertical coverage angle can be set over a range of 11°, starting from 0° to +11°.

## 1.5 Assembly

### Attaching the bracket to walls or ceilings

#### NOTICE!

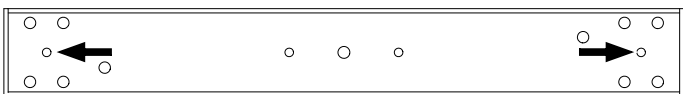
Only use mounting parts (fixing anchors and screws) that are suitable for the intended application.

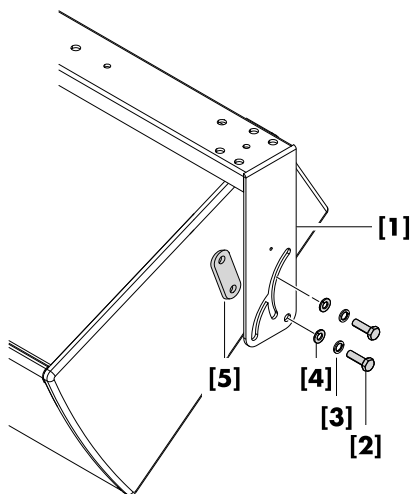
Observe the occurring extraction forces acting on the fixing anchors and screws. The rated extraction forces for the respective application (wall or ceiling mounting) and cabinet are listed in the following table.

Application	Rated extraction forces
Wall mounting	560 N
Ceiling mounting	380 N

To attach the bracket to walls or ceilings, use the holes shown in the graphic opposite to provide adequate support.

A corresponding fixing template is supplied with these mounting instructions. Refer to ⇒ Chapter 2 "Fixing template" on page 8.





## Attaching the cabinet to the bracket

---

### NOTICE!

---

Only use the supplied and specified screws [2], otherwise there is a risk of damaging the threaded inserts.

Always use the spring washers [3] and U washers [4] to prevent the bolts from slackening.

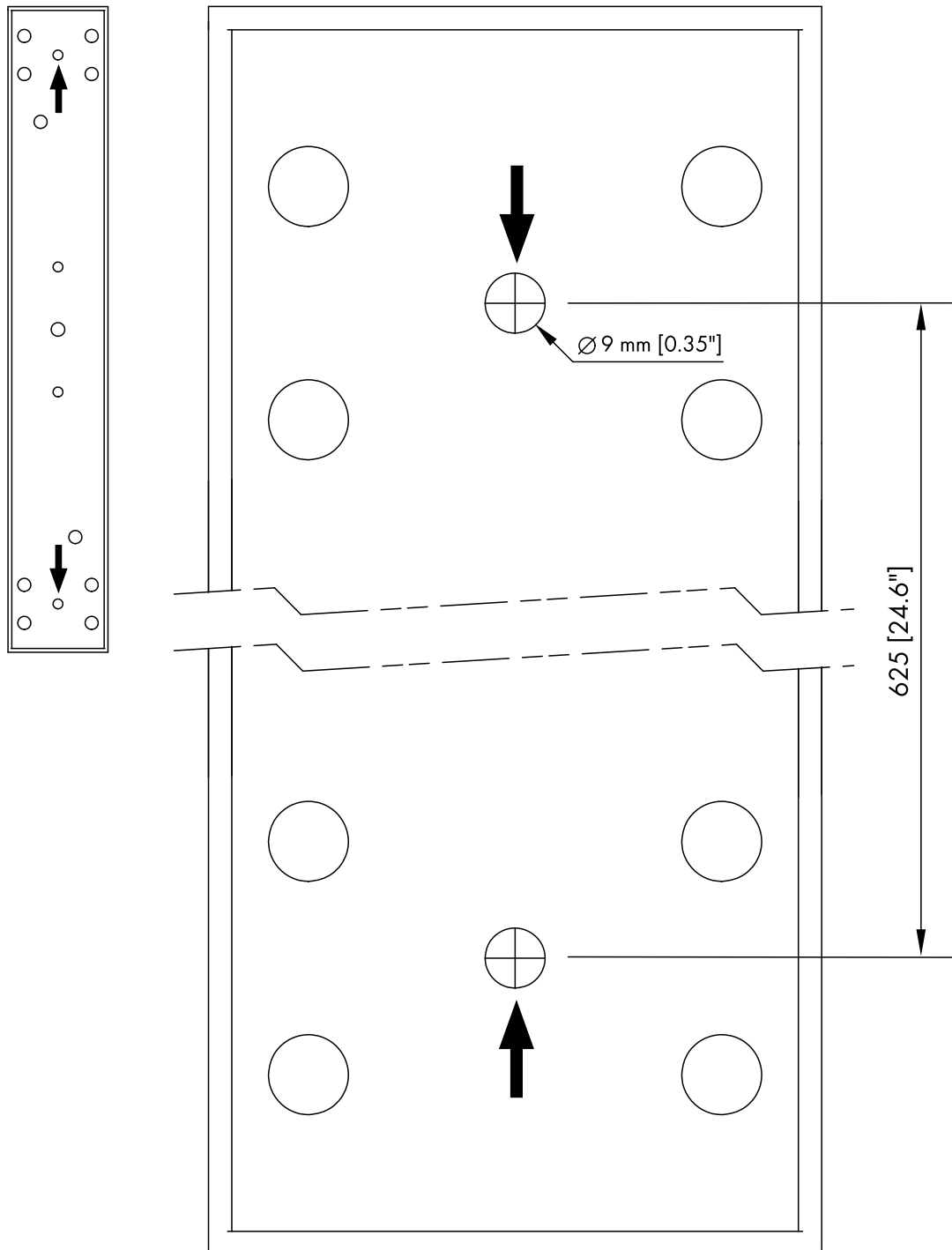
Always place the rubber pads [5] between the bracket and the cabinet to prevent the cabinet coating from scratching during assembly and adjustment.

---

### Tools required:

- Open-ended spanner/wrench (size #17)
1. Starting on one side, first align one hole of the rubber pad with one threaded insert.
  2. Insert one screw together with the spring and U washers.
  3. Align the second hole of the rubber pad with the second threaded insert.
  4. Insert the second screw together with the spring and U washers.
  5. Tighten both screws.
    - ↳ This will simplify the attachment of the rubber pad on the opposite side.
  6. On the opposite side, proceed in the same manner.

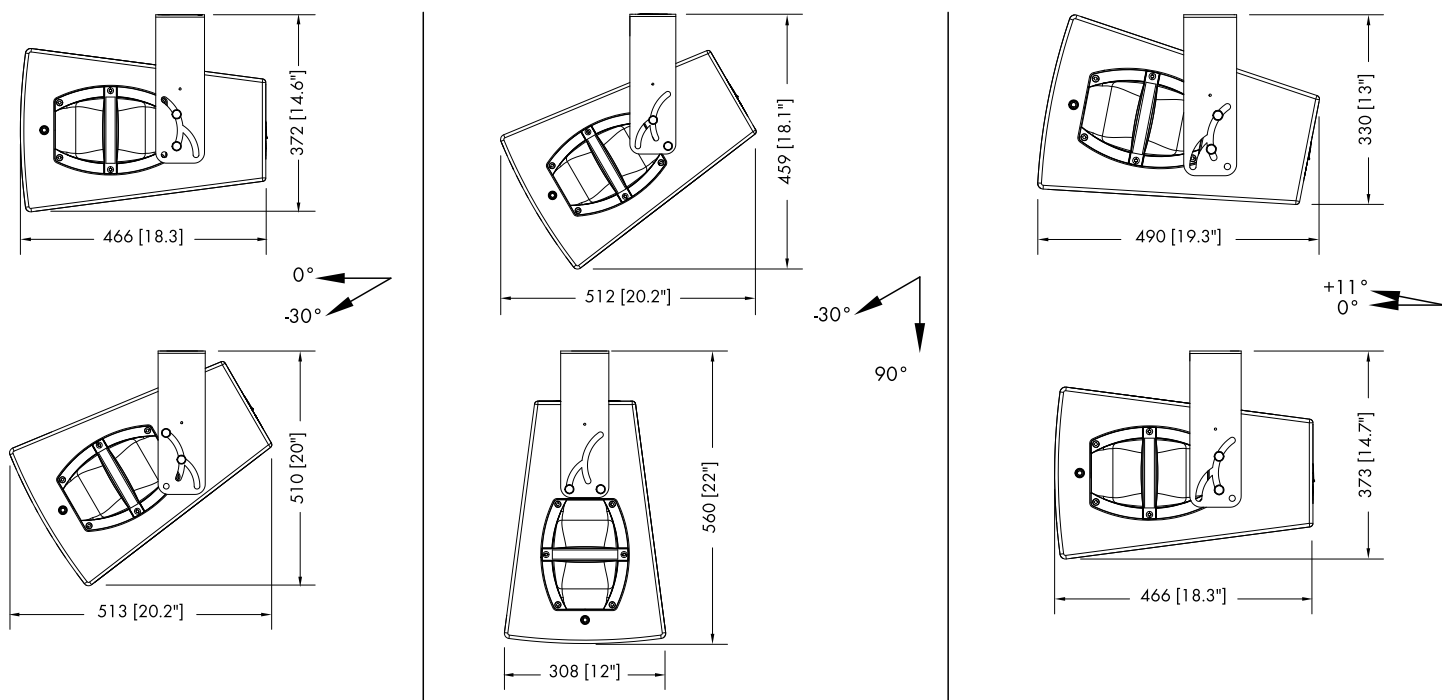
## 2 Fixing template



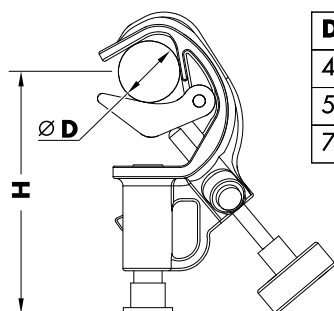
Z5388 Fixing template



### 3 Built-in dimensions

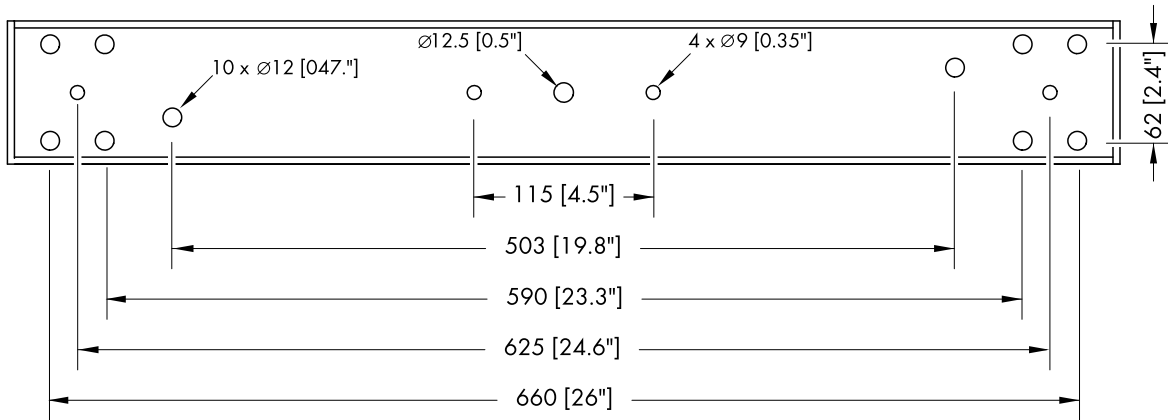
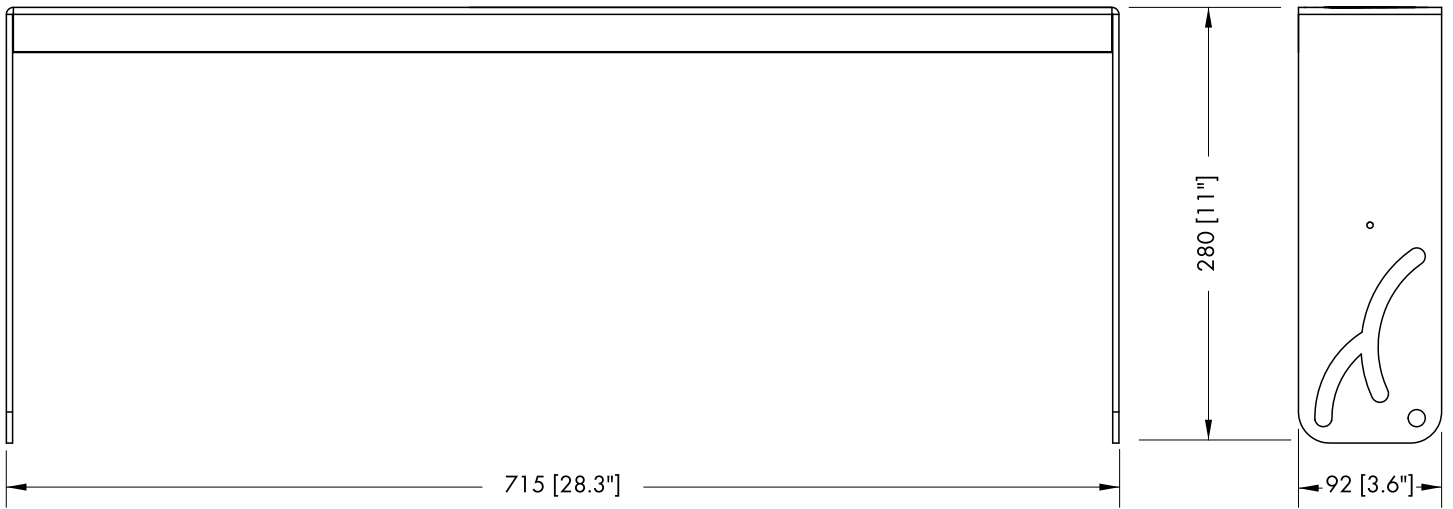


**Z5388 Mounting options 1,2 and 3 with built-in dimensions in mm [inch]**



<b>D</b>	<b>H</b>
40 mm [1.6"]	205 mm [8"]
50 mm [2"]	197 mm [7.75"]
70 mm [2.75"]	181 mm [7"]

**Built-in dimensions Z5010/Z5012 Assembly**



**Z5388 Dimensions in mm [inch]**



### 4.1 EU conformity (CE symbol)

This declaration applies to:

#### **d&b Z5388 VP Horizontal bracket**

manufactured by d&b audiotechnik GmbH & Co. KG.

All product variants are included, provided they correspond to the original technical version and have not been subject to any later design or electromechanical modifications.

We herewith declare that said products are in conformity with the provisions of the respective EC directives including all applicable amendments.

A detailed declaration is available on request and can be ordered from d&b or downloaded from the d&b website at [www.dbaudio.com](http://www.dbaudio.com).

### 4.2 Disposal

When out of use the rigging components must be disposed of in accordance with the national environmental regulations.

Ensure that damaged rigging components are disposed of in a way that they cannot be used again.

